

PAMS Technical Documentation

NPM–9 Series Transceivers

Service Software & Concepts

CONTENTS

Service Software	3
Phoenix	3
Supported Operating Systems	3
Hardware requirements for using Phoenix	3
Introduction	3
Installing Phoenix	3
Uninstalling Phoenix	4
Data Packages	4
Starting a session	4
Setup Instructions	7
Flash Concept	7
Flash Concept – POS (Point of Sale)	8
JBV-1 Flash Concept	9
Jig Concept	10
CPL-4 Service Concept	11
Parallel Flash Concept	12

Service Software

Phoenix

Phoenix is the next generation Service Software. It has been designed to meet the challenges in servicing modern cellular phone technology.

The Phoenix program has been built using component architecture. This means that the actual program is small and most of the program's functionality is divided into dynamically loaded modules (DLLs).

Supported Operating Systems

Windows 95, 98, 2000, ME and NT 4.0 (SP4).

Hardware requirements for using Phoenix

Minimum:

Processor 233 MHz, RAM memory 64 MB, Disk space 50–100 MB.

Recommended for Windows 2000:

Processor 700 MHz, RAM memory 512 MB, Disk space 50–100 MB.

Introduction

This section briefly describes how to install the Phoenix software and includes some basic information on how to use the program. For more detailed information, please refer to Phoenix's **Help –files**. Each feature in Phoenix has its own Help function, which can be activated while running the program.

Press the *F1* key or the feature's Help–button to activate a Help –file.

Installing Phoenix

1. Download the latest release. Please contact your regional After Market Services point for information on where to download the latest release.

Download and read the release notes, which have useful information on the software version you are using.

2. Download the latest data packages for the products you will be using.

3. Before you start installing the program, check that

– the dongle is attached to parallel port. Contact your supervisor in order to obtain a suitable dongle.

– you have administrator rights (Windows 2000 or NT only). This is required in order to be able to install Phoenix.

4. Install Phoenix by executing the Phoenix installation package and follow the instructions on the screen.

Program files are stored under " *C:\Program Files\Nokia\Phoenix*" (default).

5. The installation checks that the latest supported dongle driver version is installed. The dongle driver is installed if there is no previous installation of the dongle driver or if the installed dongle driver is older than the latest supported version.

Note: If the dongle driver is installed during installation, you need to reboot your PC and restart the installation after reboot.

6. Reboot your PC before using Phoenix, if you are requested to do so.

Note: In some products the setup may require you to reboot the computer. In either case, the setup will register Phoenix components. This process can take few minutes.

7. Install the data package by executing the installation package and follow the instructions on the screen.

The data packages will create product specific directories under the installation directory.

Data files are stored under " *C:\Program Files\Nokia\Phoenix*" (default).

Uninstalling Phoenix

If you need to remove Phoenix Service Software from your computer:

1. Make sure that the dongle is attached (unregistration).
2. Go to the Control Panel and select **Add/Remove Programs**.
3. Select NHM-7 / NPE-4 / NPM-9 RELEASE for uninstallation and click **Add/Remove**.
4. Click **OK** to remove the application

You may be required to reboot your PC after uninstallation.

Note: If you have different product packages installed, the components are uninstalled only if they are not included in other product packages.

Data Packages

Data Packages (DP) is a name for a helpful feature in the Phoenix software. This type of feature provides a flexible way of distributing and installing Phoenix and its data files.

All product-specific data is separated from the program code and installed separately. This means that the installation is performed in at least two steps.

Each product will have its own Data Package (DP). The FPS-8 flashing equipment also has its own package.

Starting a session

Concepts

In the Phoenix context, *Product* means the cellular phone attached to a PC. More specifically, it is a particular type of phone.

Connection means the type of cable used to attach the phone to the port to which the other end of the cable is attached.

Selecting a product

Many of Phoenix's features are product-specific. It is, therefore, mandatory to choose the product you will be working on at the beginning of the session.

Select the menu item *File – Choose Product*. You will be presented with a list of available products.

After the product selection, you will see an additional menu item on the main menu. If you take a look at the available menu items, you will see that their number has increased.

Selecting a connection

The connection defines the cable and the communications port that will be used when connecting to the phone.

1. Active connections are listed in the toolbar's *Connection* pull-down menu. You should make sure that the connection is correct before using the software. Change it, if necessary.

In case the connection is the wrong, you need to create a new one.

2. Select *Settings* from the pull-down menu .

3. Select *Add* in the *Connection List Dialog* and in fill the relevant fields in the *Connection setup* dialog.

Phoenix environment

You can configure the program's main toolbar and the product or tool – specific options to your liking.

You can control which toolbars are visible by selecting **View** and **Toolbars** from the pull-down menu. The visible toolbars are marked with a check.

The rest of the options are product or tool –specific. The tool-specific options are set using the associated toolbar.

Using components

When working with Phoenix, each task generally has its own component that will perform the task. The first thing, therefore, is to open the desired component.

Opening a component means that you open a tool window within Phoenix. When this window is opened, Phoenix also opens a toolbar for it and adds component-specific menu items in the **View** menu.

Using profiles

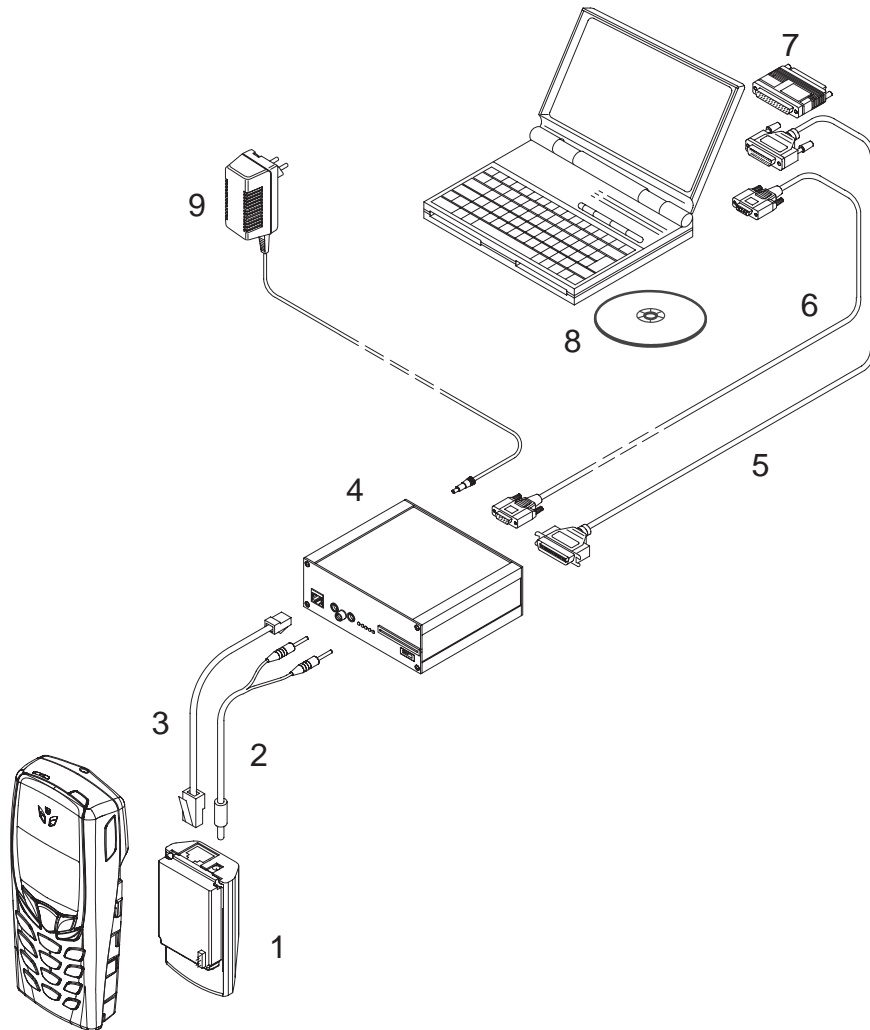
A Profile is a useful feature in the software. Product, connection and currently open components can be stored into a permanent storage (a disk file called profile, *.nmp) for later retrieval.

Opening and saving profiles is done via menu commands found in the **File** menu. Select *Open Profile* and *Save Profile*.

Since profiles are stored into a disk file with the user-defined name, there can be multiple profiles for different repeated tasks.

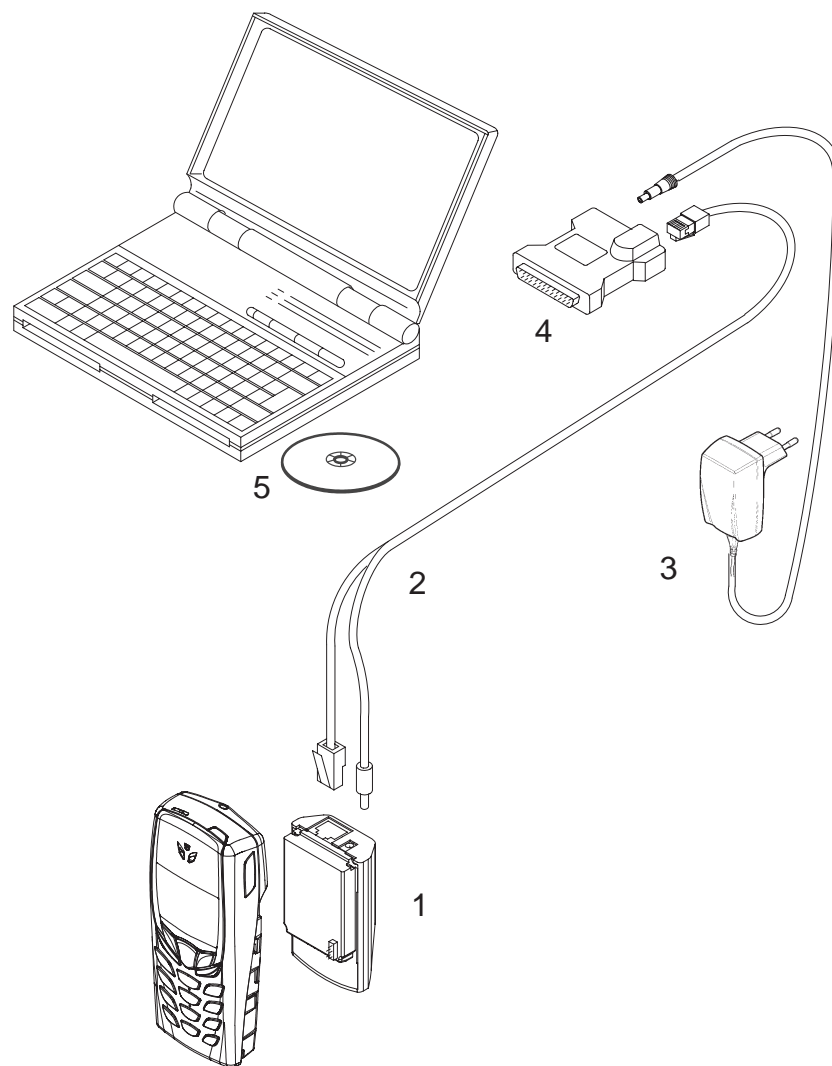
Setup Instructions

Flash Concept



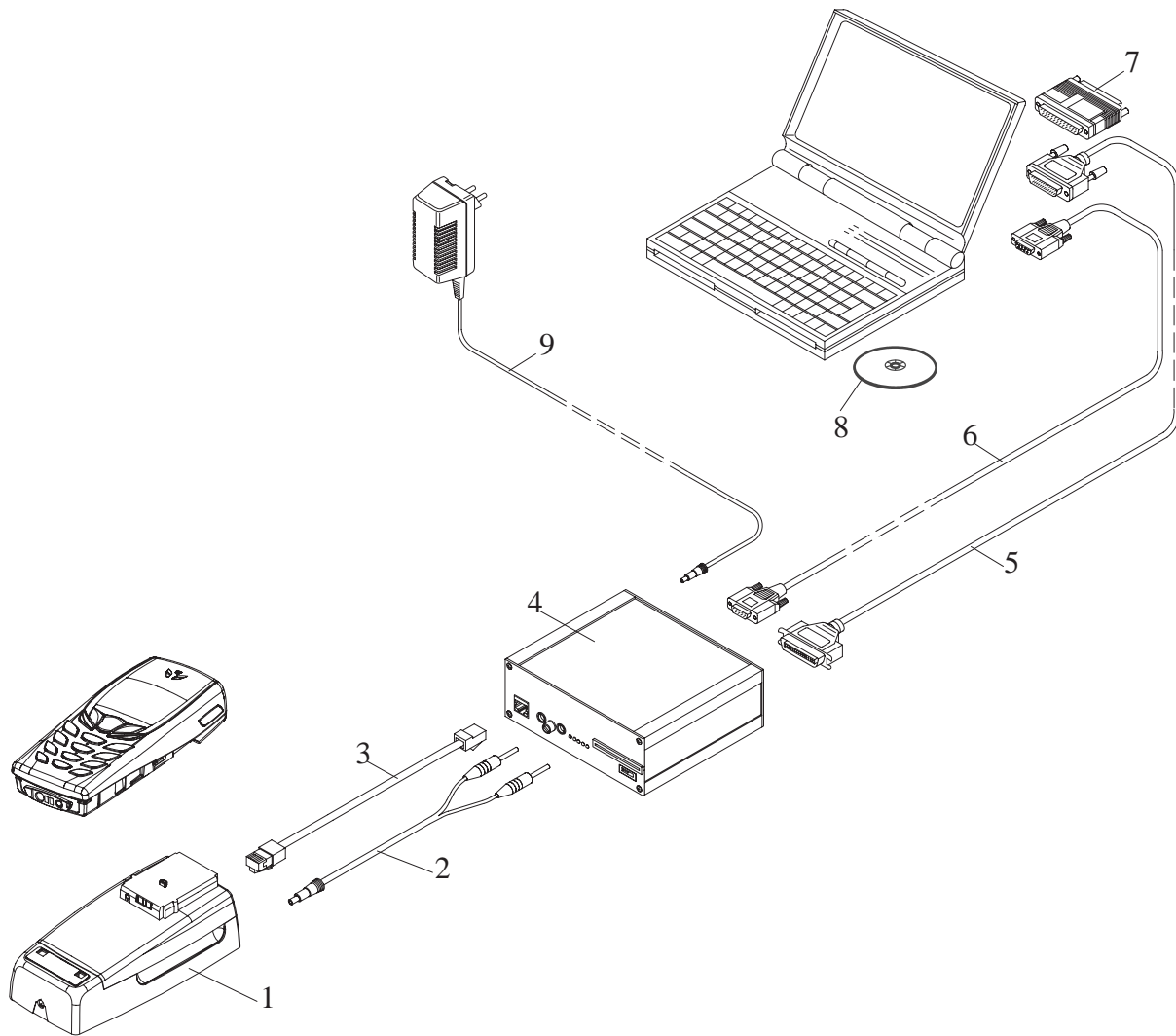
Item:	Service accessory:	Product code:
1	FLA-18, Point Of Sales flash loading adapter	0770318
2	FLC-2, power cable	0730185
3	XCS-4, Modular cable	0730178
4	FPS-8, Flash prommer box	0080321
5	Printer cable, incl. in FPS-8 sales pack	0730029
6	AXS-4, D9 – D9 cable, incl. in FPS-8 sales pack	0730090
7	PKD-1, Software protection key	0750018
8	Phoenix Service SW	8409031
	Phoenix Service SW in CD-ROM	0775311
	NPM-9 Flash SW data	8409031
	NPM-9 Flash SW data in CD-ROM	0775312
9	AC Charger, incl. in FPS-8 sales pack	0680032

Flash Concept – POS (Point of Sale)



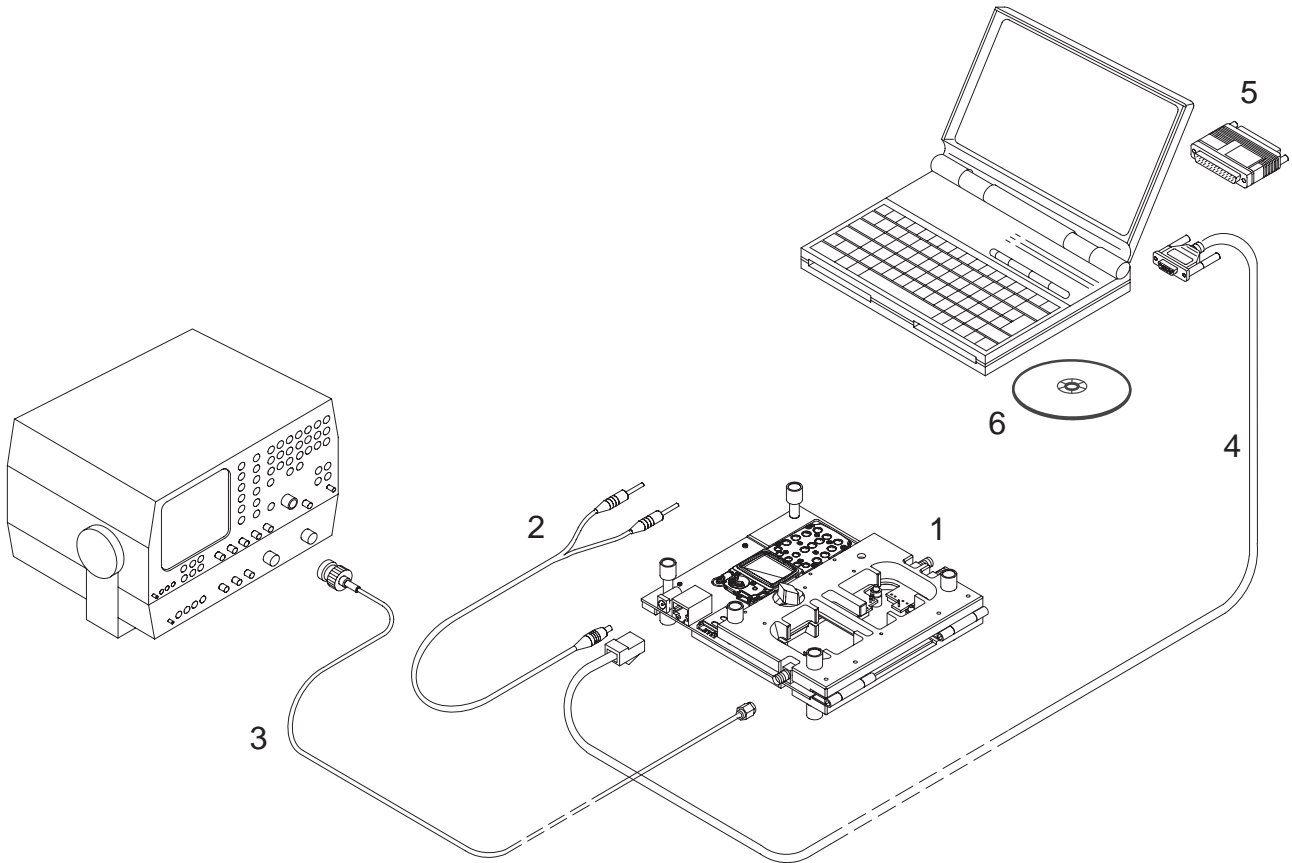
Item:	Service accessory:	Product code:
1	FLA-18, Point Of Sales flash loading adapter	0770318
2	XCS-1, service cable	0730218
3	ACP-8 AC Charger; see chapter General Information/Desktop Option for more information	
4	FLS-4, POS flash dongle for E/A area	0081483
	FLS-4, POS flash dongle for APAC area	0081481
5	Phoenix Service SW	8409031
	Phoenix Service SW in CD-ROM	0775311
	NPM-9 Flash SW data	8409031
	NPM-9 Flash SW data in CD-ROM	0775312

JBV-1 Flash Concept



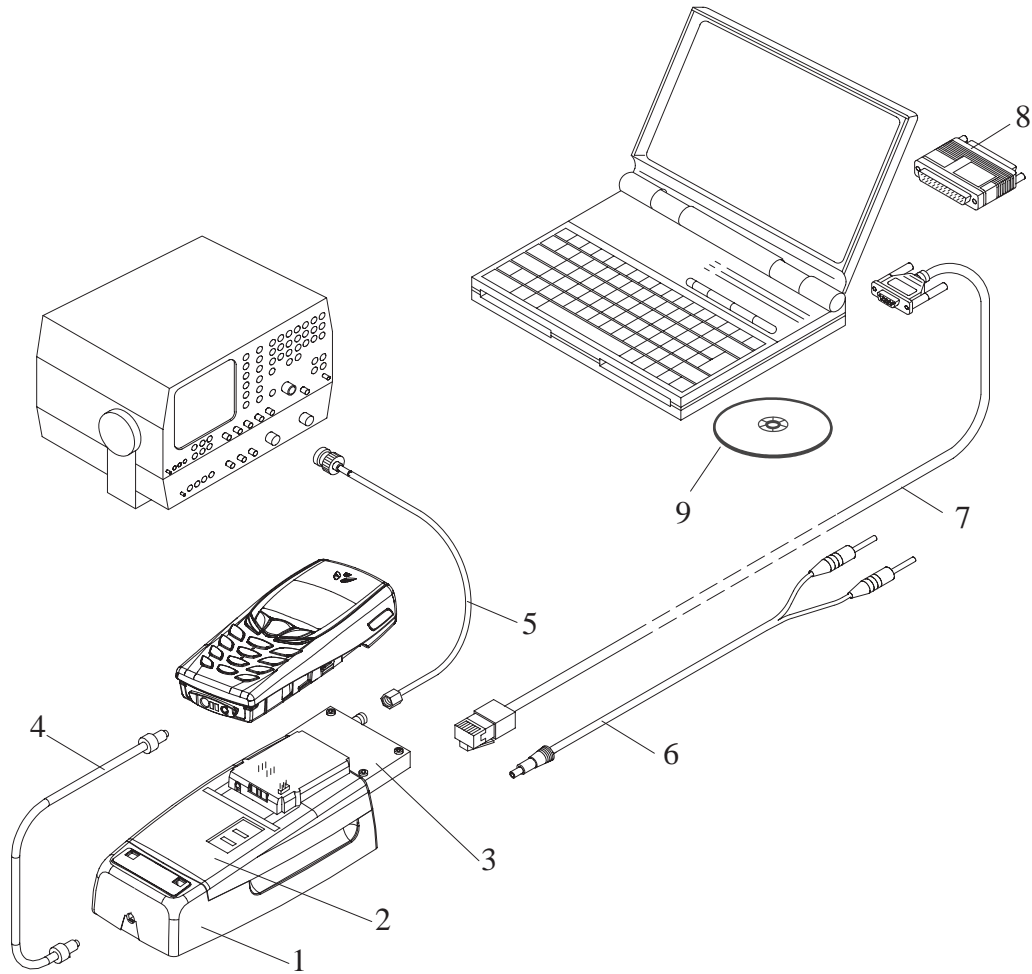
Item:	Service accessory:	Product code:
1	JBV-1, Docking station	0770298
	MJF-6, Docking station adapter	0770317
2	PCS-1, DC power cable	0730012
3	XCS-4, Modular cable	0730178
4	FPS-8, Flash prommer box	0080321
5	Printer cable, incl. in FPS-8 sales pack	0730029
6	AXS-4, D9 – D9 cable, incl. in FPS-8 sales pack	0730090
7	PKD-1, Software protection key	0750018
8	Phoenix Service SW	8409031
	Phoenix Service SW in CD-ROM	0775311
	NPM-9 Flash SW data	8409031
	NPM-9 Flash SW data in CD-ROM	0775312
9	AC Charger, incl. in FPS-8 sales pack	0680032

Jig Concept



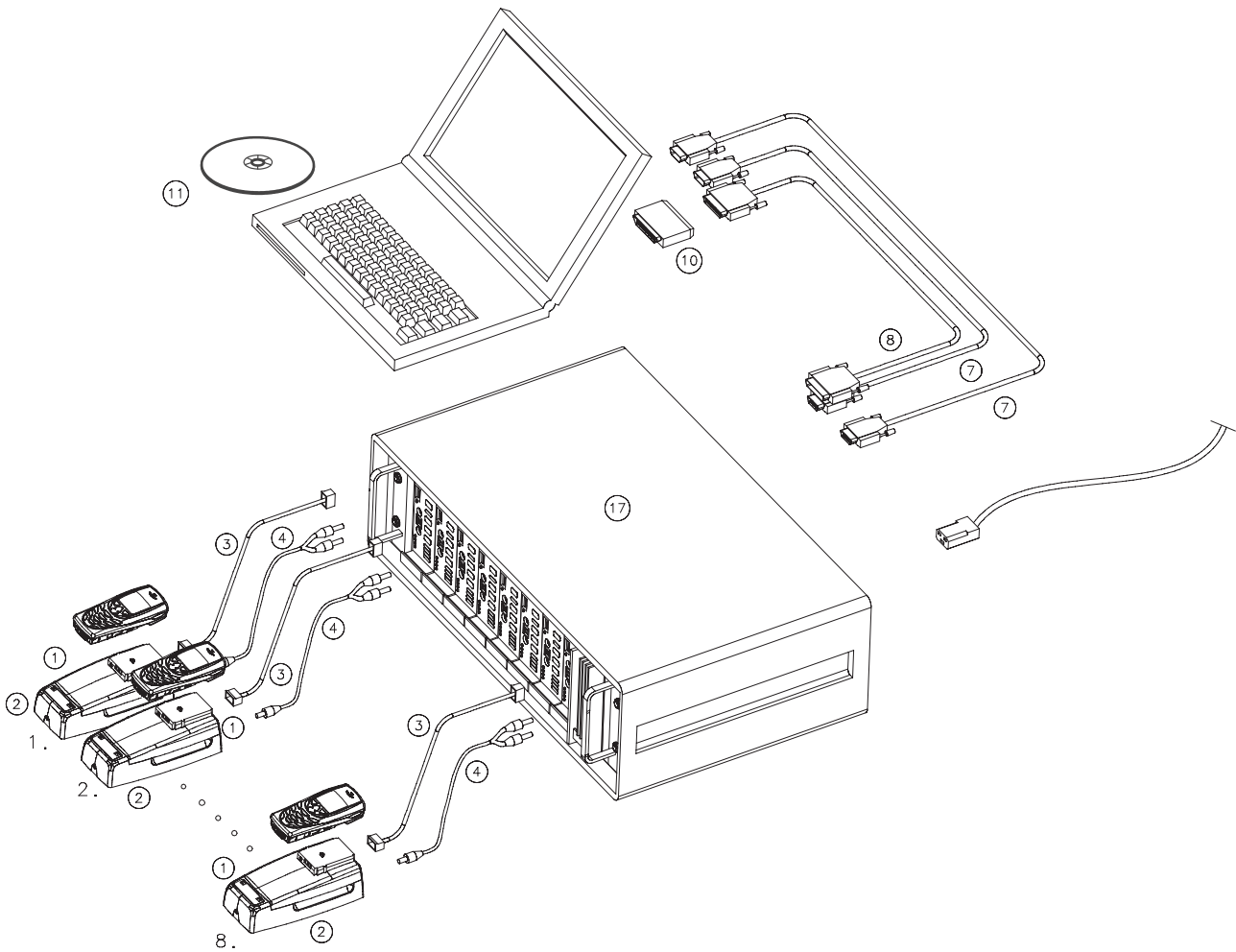
Item:	Service accessory:	Product code:
1	MJS-46, Module jig	0770316
2	PCS-1, DC power cable	0730012
3	XRF-1, RF antenna cable	0730085
4	DAU-9S, Service MBUS cable	0730108
5	PKD-1, Software protection key	0750018
6	Phoenix Service SW	8409031
	Phoenix Service SW in CD-ROM	0775311
	NPM-9 Flash SW data	8409031
	NPM-9 Flash SW data in CD-ROM	0775312

CPL-4 Service Concept



Item:	Service accessory:	Product code:
1	JBV-1, Docking station	0770298
2	MJF-6, Docking station adapter	0770317
3	CPL-4, Coupler	0770343
4	SCB-3, DC-DC cable	0730114
5	XRF-1, RF antenna cable	0730085
6	PCS-1, DC power cable	0730012
7	DAU-9S, Service MBUS cable	0730108
8	PKD-1, Software protection key	0750018
9	Phoenix Service SW	8409031
	Phoenix Service SW in CD-ROM	0775311
	NPM-9 Flash SW data	8409031
	NPM-9 Flash SW data in CD-ROM	0775312

Parallel Flash Concept (optional)



Item:	Service accessory:	Product code:
1	MJF-6, Docking station adapter	0770317
2	JBV-1, Docking station	0770298
3	XCS-4, Modular cable	0730178
4	PCS-1, DC power cable	0730012
7	AXS-4, D9 – D9 cable, incl. in FPS-8C sales pack	0730090
8	Printer cable, incl. in FPS-8C sales pack	0730029
10	PKD-1, Software protection key	0750018
11	Phoenix Service SW	8409031
	Phoenix Service SW in CD-ROM	0775311
	NPM-9 Flash SW data	8409031
	NPM-9 Flash SW data in CD-ROM	0775312
17	FPS-8C, Parallel flash prommer	0080396